

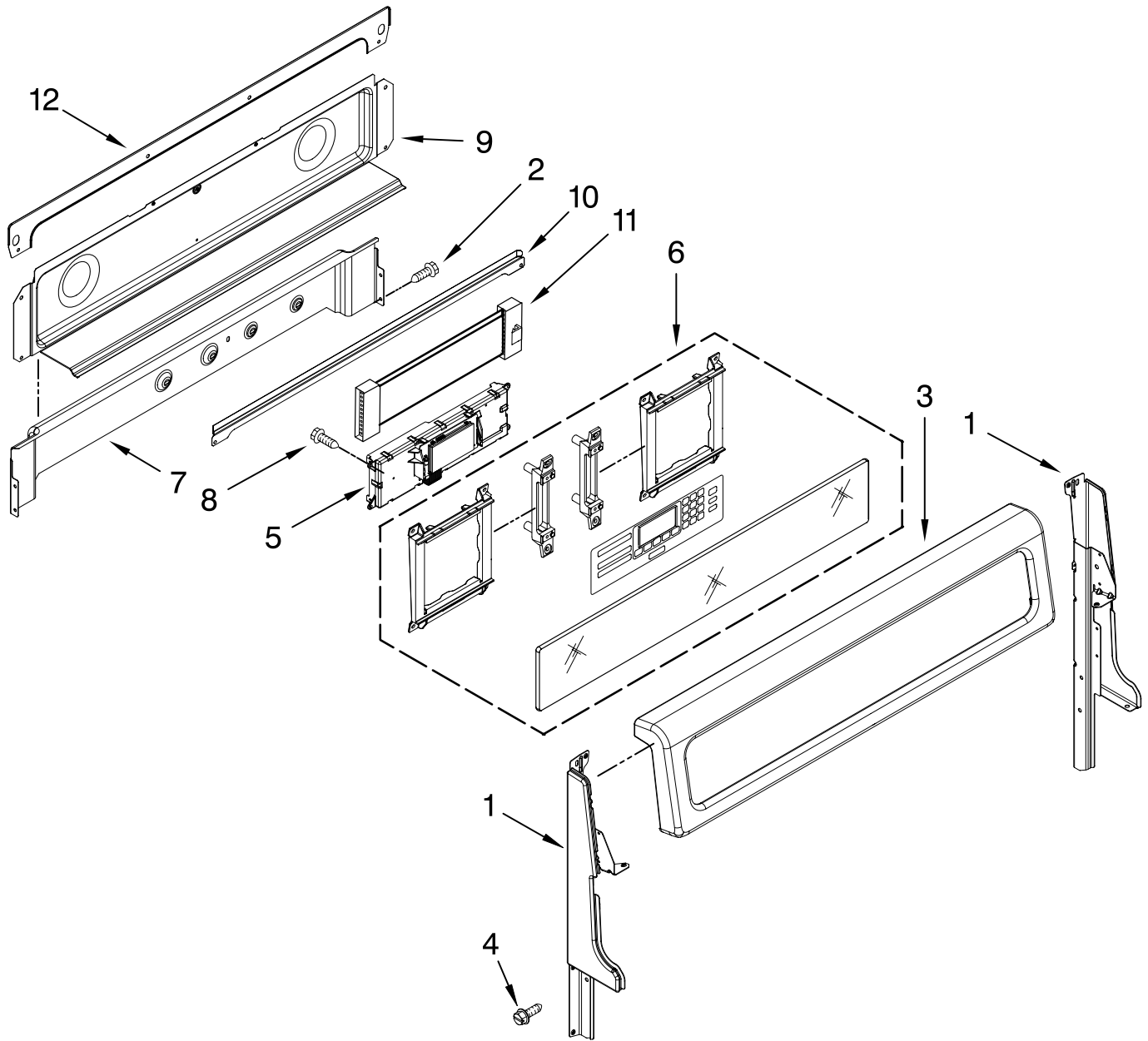
**Illus. Part No. DESCRIPTION**

|    |           |   |
|----|-----------|---|
| 1  | W10291448 | Literature Parts<br>Instructions,<br>Installation |
|    | W10291454 | Owners Manual                                     |
|    | W10323649 | Tech Sheet  |
|    | 9762761   | Brochure, Tips<br>(Safe Cooking)                  |
| 2  | W10299236 | Kit, Burner Cap                                   |
| 3  | W10330921 | Cooktop   |
| 4  |           | Burners   |
|    | 8286181   | Left & Right Rear                                 |
|    | 8286183   | Left Front  |
|    | 8286182   | Right Front<br>(12K)                              |
|    | W10336094 | Center  |
| 5  | W10295131 | Knob, Control                                     |
| 6  | W10171140 | Kit, Burner Cap<br>(Fish Burner Only)             |
| 7  | W10311218 | Griddle   |
| 8  | W10260069 | Kit, Grate  |
| 9  | W10284717 | Panel, Manifold                                   |
| 10 | W10333445 | Base, Burner Cap<br>(Fish Burner)                 |

FOR ORDERING INFORMATION REFER TO PARTS PRICE LIST

# CONTROL PANEL PARTS

For Model: KDRS505XSS00  
(Stainless)



| Illus. No. | Part No.    | DESCRIPTION                    |
|------------|-------------|--------------------------------|
| 1          | W10319109   | Support, Backguard Black, Left |
|            | W10319111   | Black, Right                   |
| 2          | 7101P426-60 | Screw                          |
| 3          | W10295103   | Console                        |
| 4          | 7101P634-60 | Screw                          |

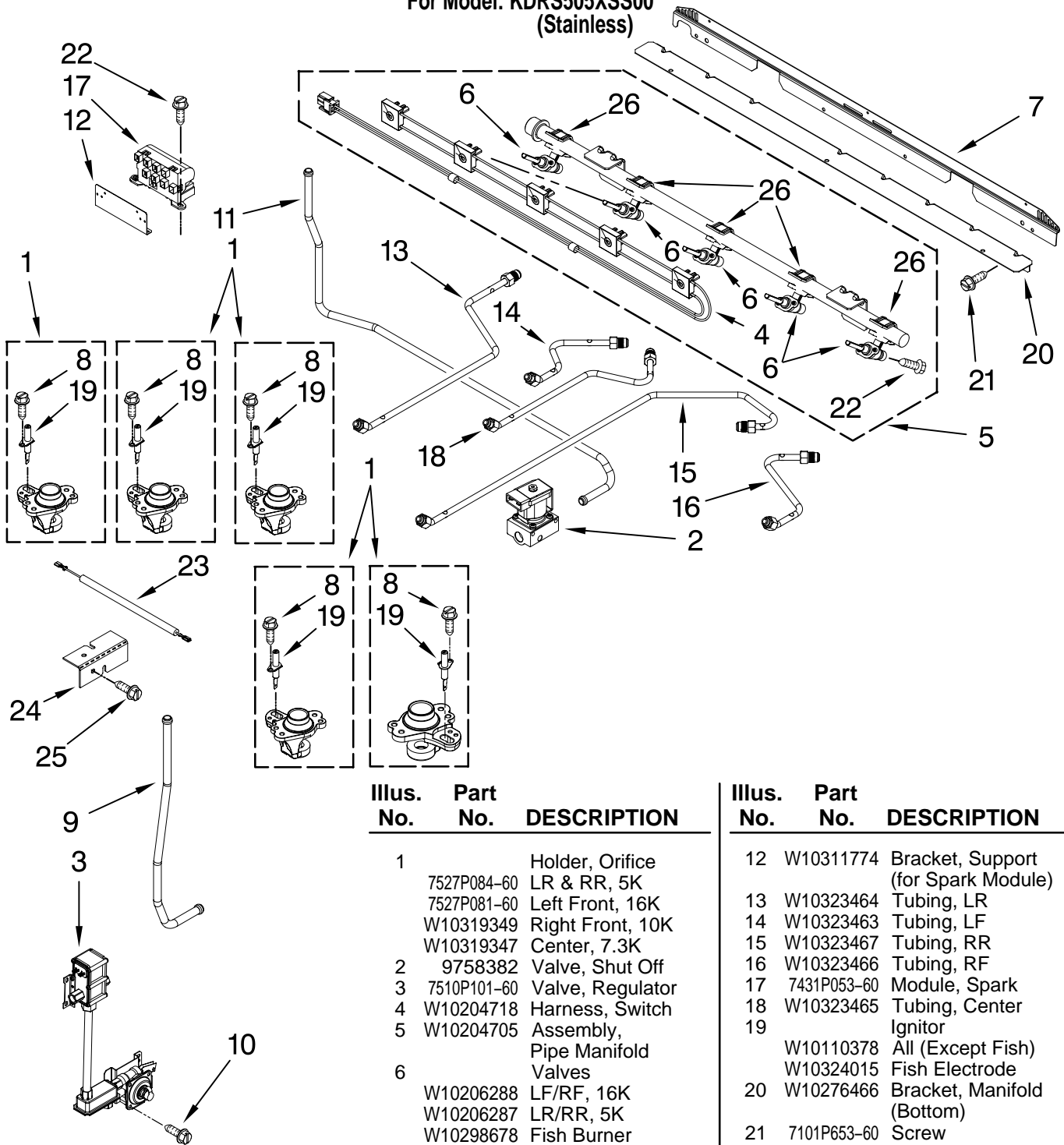
| Illus. No. | Part No.    | DESCRIPTION                                       |
|------------|-------------|---|
| 5          | W10294402   | Electric, Control Assy., Membrane (Incl. Bracket) |
| 6          | W10295113   | Shield, Vent                                      |
| 7          | W10278697   | Shield, Membrane                                  |
| 8          | 7101P500-60 | Screw   |
| 9          | W10296773   | Cover, Backguard Wire                             |

| Illus. No. | Part No.  | DESCRIPTION        |
|------------|-----------|--------------------|
| 10         | W10299338 | Shield, Wire Cover |
| 11         | W10318787 | Connector, Flex    |
| 12         | W10292689 | Cover, Wire Filler |

FOR ORDERING INFORMATION REFER TO PARTS PRICE LIST

# MANIFOLD PARTS

For Model: KDRS505XSS00  
(Stainless)



| Illus. No. | Part No.    | DESCRIPTION                          |
|------------|-------------|--------------------------------------|
| 1          | 7527P084-60 | Holder, Orifice LR & RR, 5K          |
|            | 7527P081-60 | Left Front, 16K                      |
|            | W10319349   | Right Front, 10K                     |
|            | W10319347   | Center, 7.3K                         |
| 2          | 9758382     | Valve, Shut Off                      |
| 3          | 7510P101-60 | Valve, Regulator                     |
| 4          | W10204718   | Harness, Switch                      |
| 5          | W10204705   | Assembly, Pipe Manifold              |
| 6          | W10206288   | Valves LF/RF, 16K                    |
|            | W10206287   | LR/RR, 5K                            |
|            | W10298678   | Fish Burner                          |
|            | W10343062   | Bracket, Manifold RR Cover           |
| 8          | 8273062     | Screw, Igniter                       |
| 9          | W10295050   | Tubing (Supply Regulator To Shutoff) |
| 10         | 7101P426-60 | Screw                                |
| 11         | W10295055   | Tubing (Supply Shutoff To Manifold)  |

| Illus. No. | Part No.    | DESCRIPTION                         |
|------------|-------------|-------------------------------------|
| 12         | W10311774   | Bracket, Support (for Spark Module) |
| 13         | W10323464   | Tubing, LR                          |
| 14         | W10323463   | Tubing, LF                          |
| 15         | W10323467   | Tubing, RR                          |
| 16         | W10323466   | Tubing, RF                          |
| 17         | 7431P053-60 | Module, Spark                       |
| 18         | W10323465   | Tubing, Center                      |
| 19         | W10110378   | Ignitor All (Except Fish)           |
|            | W10324015   | Fish Electrode                      |
|            | W10276466   | Bracket, Manifold (Bottom)          |
| 20         | W10276466   | Bracket, Manifold (Bottom)          |
| 21         | 7101P653-60 | Screw                               |
| 22         | 7101P388-60 | Screw                               |
| 23         | W10322044   | Ext., Electrode                     |
| 24         | W10324366   | Holder, Electrode Ext.              |
| 25         | W10217535   | Screw (Extension Holder)            |
| 26         | 98017516    | Connection, Saddle                  |

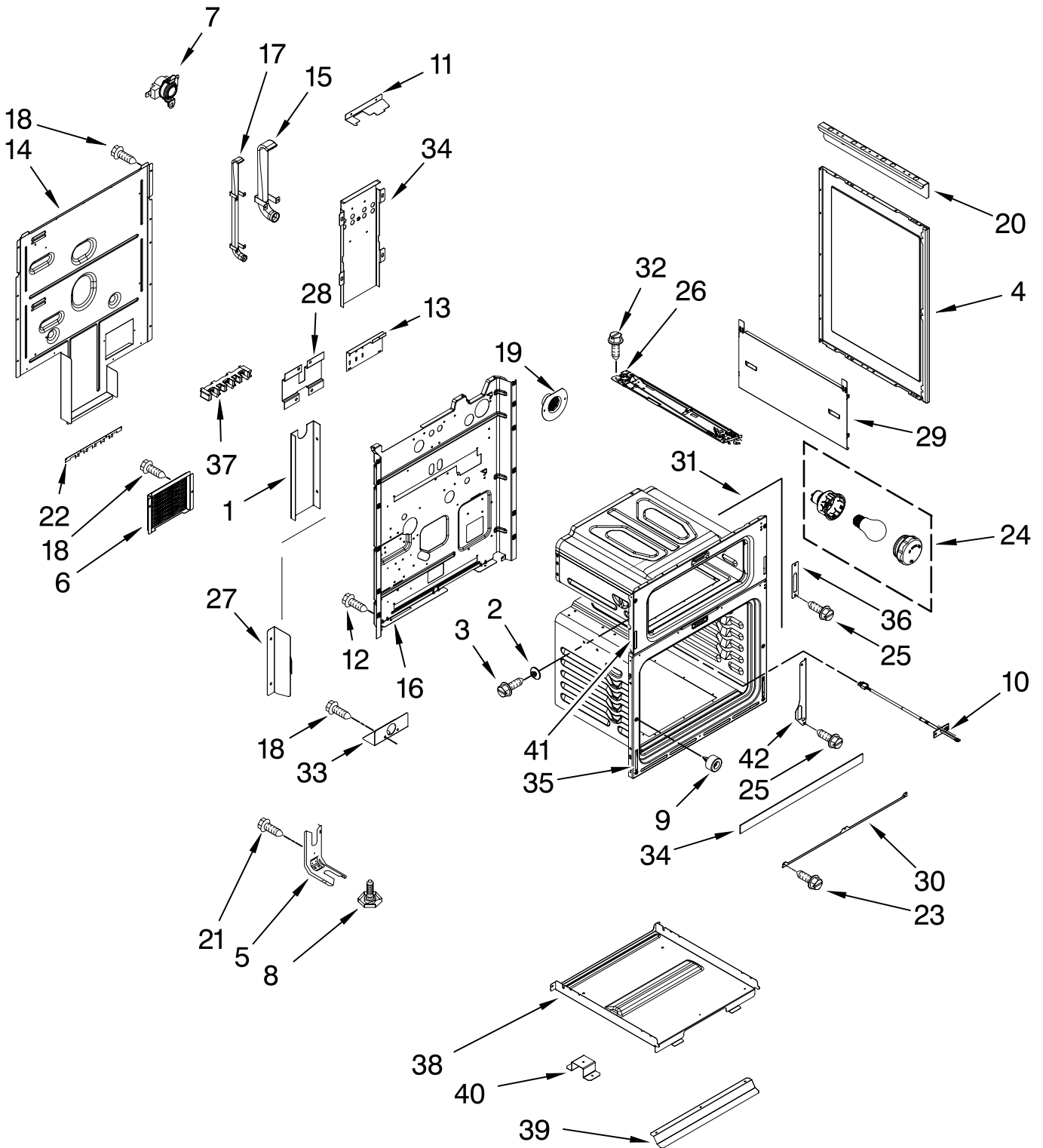
Following Parts Not Illustrated

W10311058 LP Kit

FOR ORDERING INFORMATION REFER TO PARTS PRICE LIST

# CHASSIS PARTS

For Model: KDRS505XSS00  
(Stainless)



FOR ORDERING INFORMATION REFER TO PARTS PRICE LIST

# CHASSIS PARTS

For Model: KDRS505XSS00  
(Stainless)

| Illus. No. | Part No.    | DESCRIPTION                       |
|------------|-------------|-----------------------------------|
| 1          | W10332459   | Shield, Heat                      |
| 2          | W10237689   | Spacer, Side Panel                |
| 3          | W10267456   | Screw, Shoulder                   |
| 4          | W10260942   | Panel, Side                       |
| 5          | 3801F656-51 | Bracket, Anti-Tip                 |
| 6          | W10315657   | Cover, Access<br>(Terminal Block) |
| 7          | 7403P899-60 | Switch, Hi-Limit<br>(170 F/280 F) |
| 8          | 7101P507-60 | Foot, Leveler (4)                 |
| 9          | W10105790   | Screw, Bumper                     |
| 10         | 7430P044-60 | Probe, Sensor                     |
| 11         | W10268559   | Cover, Lower Wire                 |
| 12         | 7101P426-60 | Screw                             |
| 13         | W10332449   | Shield, Cord                      |
| 14         | W10261386   | Cover, Main Wire                  |
| 15         | W10337391   | Tube, Vent<br>(Upper)             |
| 16         | W10260583   | Back, Main                        |
| 17         | W10323793   | Tube, Vent<br>(Lower)             |
| 18         | 4449743     | Screw                             |

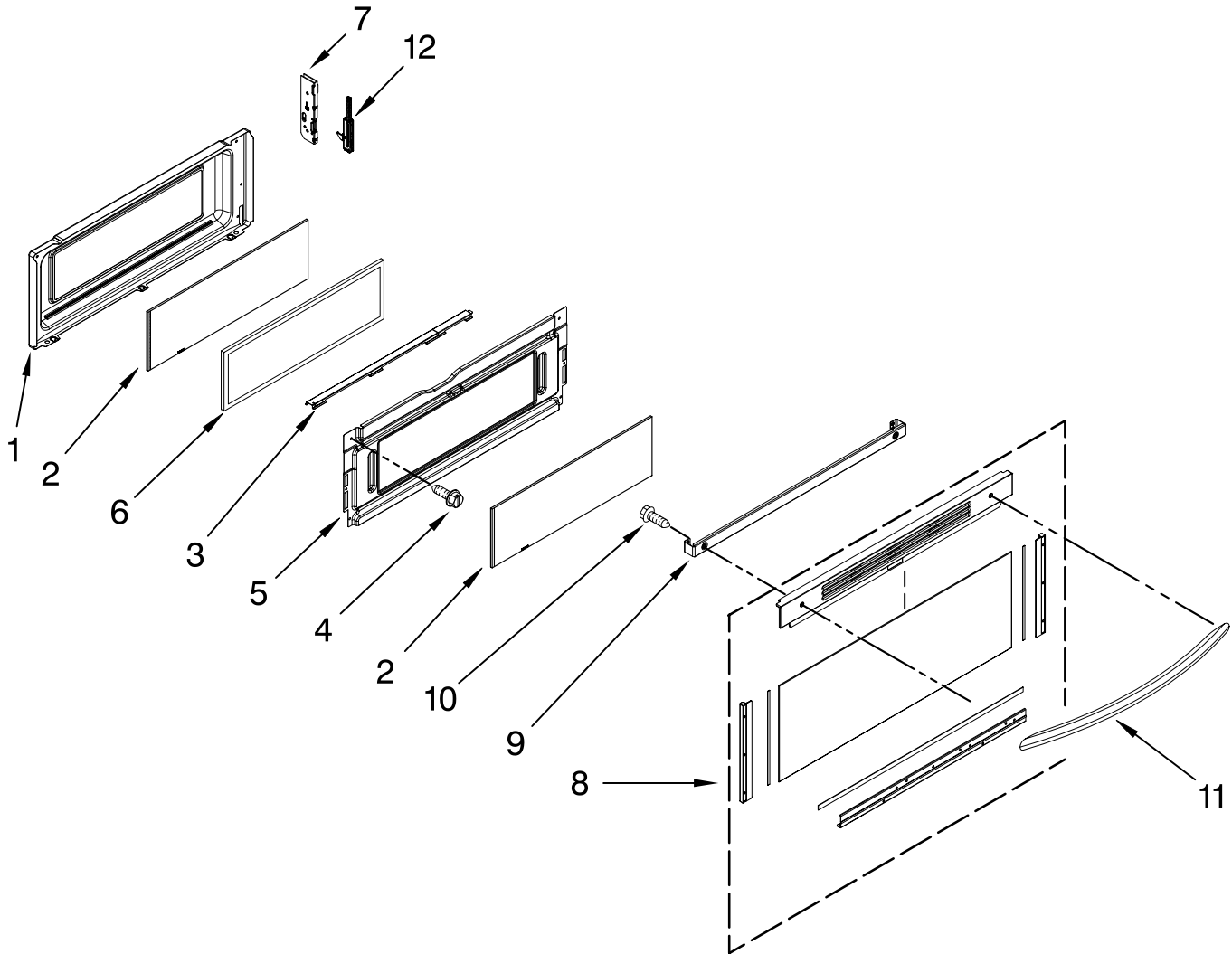
| Illus. No. | Part No.    | DESCRIPTION                  |
|------------|-------------|------------------------------|
| 19         | W10322408   | Adapter<br>(Vent Tube)       |
| 20         | W10319087   | Bracket,<br>End Post Support |
| 21         | 7101P485-60 | Screw                        |
| 22         | 8036P012-60 | Shield, Pwr Cord             |
| 23         | 7101P652-60 | Screw                        |
| 24         | W10323374   | Assembly, Light              |
| 25         | 4449040     | Screw                        |
| 26         | W10331119   | Lock, Door                   |
| 27         | W10268560   | Cover,<br>Wire Lower RH      |
| 28         | 7003P104-60 | Insulator,<br>Heat Shield    |
| 29         | W10253471   | Shield, Side Insul           |
| 30         | W10299886   | Trim, Kickplate              |
| 31         | W10337392   | Gasket, Oven Door<br>Upper   |
|            | W10269069   | Lower                        |
| 32         | 7101P375-60 | Screw (Door Lock)            |
| 33         | W10190166   | Bracket, Pwr Sply            |
| 34         | W10261388   | Bracket, Terminal            |

| Illus. No.        | Part No.    | DESCRIPTION                             |
|-------------------|-------------|---|
| 35                | W10308654   | Front, Main<br>(Lower)                  |
| 36                | W10333442   | Cover, Hinge                            |
| 37                | 7401P039-60 | Block, Terminal                         |
| 38                | W10253469   | Pan, Element                            |
| 39                | W10253470   | Bracket, Retaining                      |
| 40                | W10260545   | Clip, Retaining                         |
| 41                | W10308655   | Front, Main<br>(Upper)                  |
| 42                |             | Cover, Hinge                            |
|                   | W10331306   | Left, Lower                             |
|                   | W10331307   | Right, Lower                            |
| <b>INSULATION</b> |             |   |
|                   | W10271637   | Insulation, Floor                       |
|                   |             | Insulation, Upper                       |
|                   | W10308393   | Wrapper                                 |
|                   | W10322111   | Back (Full Length)<br>Insulation, Lower |
|                   | W10204079   | Middle                                  |
|                   | W10204085   | Main Front Strip                        |
|                   | W10272326   | Insulation,<br>Hidden Bake Pouch        |

FOR ORDERING INFORMATION REFER TO PARTS PRICE LIST

# UPPER DOOR PARTS

For Model: KDRS505XSS00  
(Stainless)

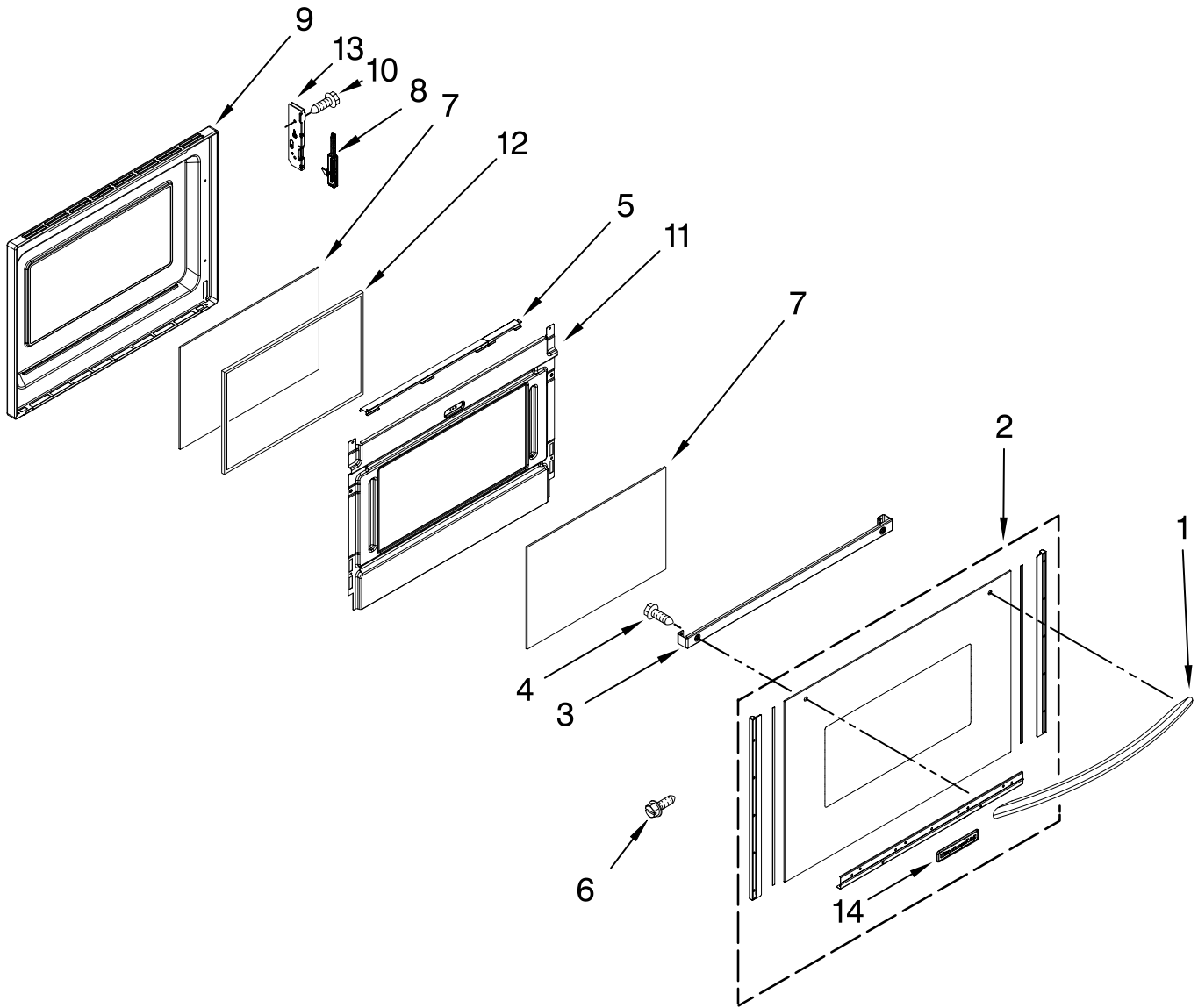


| Illus. No. | Part No.  | DESCRIPTION      | Illus. No. | Part No.  | DESCRIPTION                                | Illus. No. | Part No.  | DESCRIPTION       |
|------------|-----------|------------------|------------|-----------|--|------------|-----------|-------------------|
| 1          | W10292033 | Lining, Door     | 7          | W10277006 | Receiver                                   | 10         | 3196184   | Screw, Handle     |
| 2          | W10272707 | Glass, Inner (2) | 8          | W10326119 | Assembly, Glass Door (Includes Door Panel) | 11         | W10289076 | Handle, Door      |
| 3          | W10272708 | Frame, Glass     |            |           |  | 12         | W10274500 | Left Hinge, Door  |
| 4          | W10292297 | Screw W/Washer   |            |           |  |            | W10274499 | Right Hinge, Door |
| 5          | W10333856 | Retainer, Insul. | 9          | W10296658 | Bracket, Handle                            |            |           |                   |
| 6          | W10321271 | Insulation, Door |            |           |  |            |           |                   |

FOR ORDERING INFORMATION REFER TO PARTS PRICE LIST

# LOWER DOOR PARTS

For Model: KDRS505XSS00  
(Stainless)



| Illus. No. | Part No.  | DESCRIPTION                                      |
|------------|-----------|--|
| 1          | W10289076 | Handle, Door                                     |
| 2          | W10326134 | Assembly, Glass Door (Includes Door Pnl & Badge) |
| 3          | W10296658 | Bracket, Handle                                  |
| 4          | 3196184   | Screw, Handle                                    |

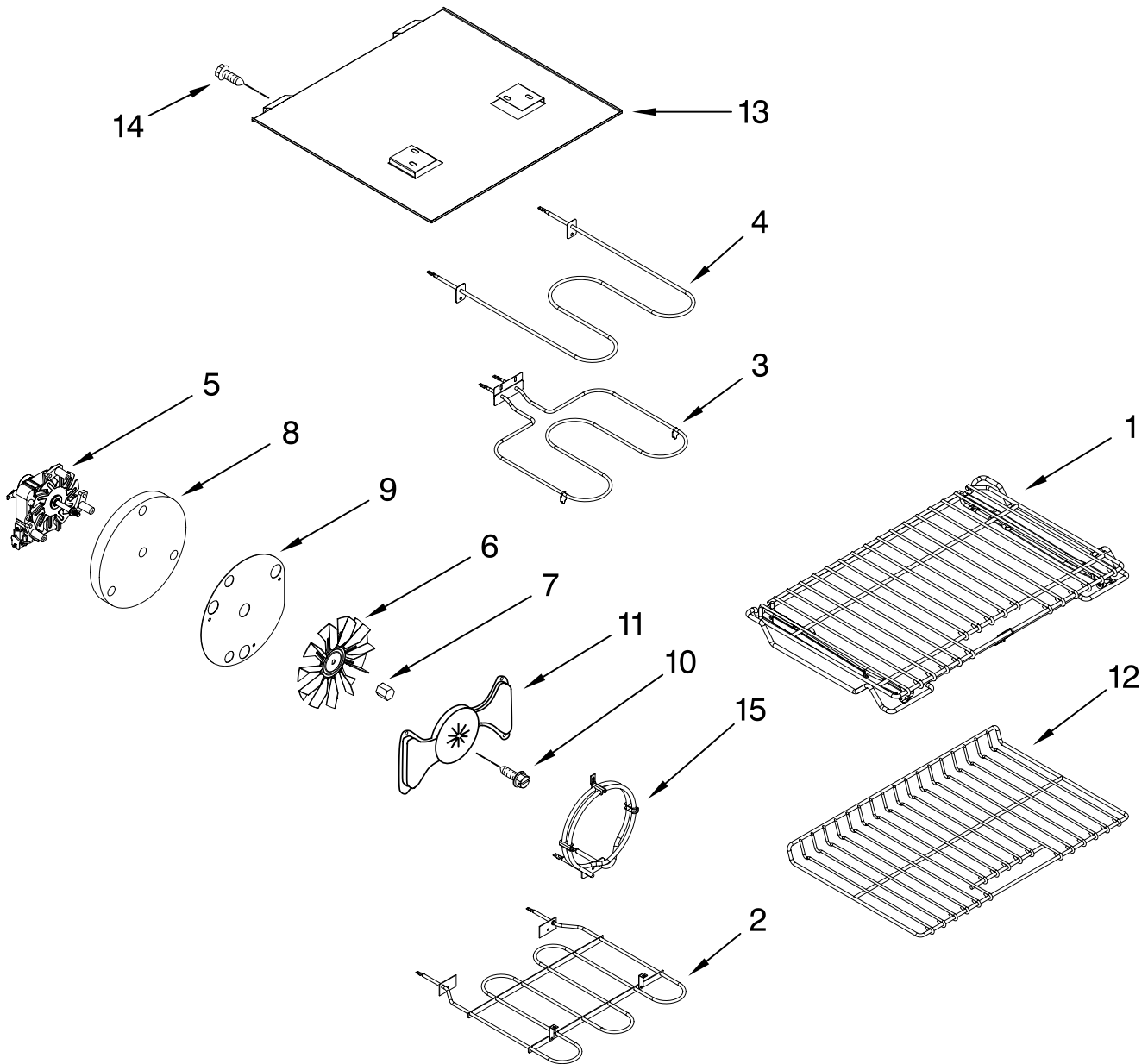
| Illus. No. | Part No.  | DESCRIPTION       |
|------------|-----------|-------------------|
| 5          | W10272594 | Frame, Glass (2)  |
| 6          | W10292297 | Screw W/Washer    |
| 7          | 9757706   | Glass, Inner (2)  |
| 8          | W10274495 | Right Hinge, Door |
|            | W10274496 | Left Hinge, Door  |
| 9          | W10292008 | Lining, Door      |

| Illus. No. | Part No.  | DESCRIPTION      |
|------------|-----------|------------------|
| 10         | 4449743   | Screw (Receiver) |
| 11         | W10287976 | Retainer, Insul. |
| 12         | W10321285 | Insulation, Door |
| 13         | W10272328 | Right Receiver   |
|            | W10272329 | Left Receiver    |
| 14         | W10243391 | Badge            |

FOR ORDERING INFORMATION REFER TO PARTS PRICE LIST

# INTERNAL OVEN PARTS

For Model: KDRS505XSS00  
(Stainless)



| Illus. No. | Part No.  | DESCRIPTION                   |
|------------|-----------|-------------------------------|
| 1          | W10273852 | Rack, Oven (Telescoping)      |
| 2          | W10249979 | Element, Broil (Lower)        |
| 3          | W10249981 | Element, Bake (Upper & Lower) |
| 4          | W10317476 | Element, Broil (Upper)        |

| Illus. No. | Part No.  | DESCRIPTION                  |
|------------|-----------|------------------------------|
| 5          | W10272341 | Motor, Convection            |
| 6          | W10116351 | Blade, Fan                   |
| 7          | W10116349 | Nut, Acorn                   |
| 8          | W10274268 | Insulation, Convection Motor |
| 9          | W10339476 | Plate, Insul. Retainer       |
| 10         | 4449154   | Screw                        |

| Illus. No. | Part No.    | DESCRIPTION                |
|------------|-------------|----------------------------|
| 11         | 8303962BU   | Cover, Fan                 |
| 12         | W10284950   | Rack, Oven (W/Handle)      |
| 13         | W10319762   | Shield, Broil              |
| 14         | 7101P434-60 | Screw                      |
| 15         | W10271639   | Element, Convent. (240VAC) |

FOR ORDERING INFORMATION REFER TO PARTS PRICE LIST



# OPTIONAL PARTS (Not Included)

For Model: KDRS505XSS00  
(Stainless)

| Illus. No. | Part No. | DESCRIPTION |
|------------|----------|-------------|
|------------|----------|-------------|

Following Parts Not Illustrated

## REFINISHING MATERIAL

242756 Touch-Up  
Self-Clean(1/2 Pt)

## INSULATION

261514 Insulation,  
Fiberglass (1-1/2"  
x 24" x 120")  
240132 Insulation,  
Fiberglass (2-1/2"  
x 22" x 120")

## PAINT, TOUCH-UP (1/2oz.)

72017 White  
72032 Black  
511873 White Porcelain  
(2 Oz.)

| Illus. No. | Part No. | DESCRIPTION |
|------------|----------|-------------|
|------------|----------|-------------|

## PAINT, PRESSURIZED SPRAY

(12 oz.)

350930 White  
350939 Black  
285006 Superior Black  
206922 Primer (White)

## PAINT, BULK (1 qt.)

799344 White (Uncut)

## ACCESSORY PARTS

31617 Cleaner,  
Grate & Drip Pan  
8212510 Wipes,  
Stainless Steel  
4396920 Cleaner/Polish  
(Stainless Only)  
31682 Cleaner,  
All-Purpose  
4378577 Stone,  
Brick Pizza  
W10123240 Kit, Broiler Pan

| Illus. No. | Part No. | DESCRIPTION |
|------------|----------|-------------|
|------------|----------|-------------|

## WIRING HARNESS PARTS

W10292523 Harness, Main  
W10323105 Harness, Spark  
W10225701 Harness, Sensor  
7101P027-60 Screw, Ground  
8019P026-60 Clip, Wire  
W10233363 Cord, Power  
7111P017-60 Clamp, Wire

FOR ORDERING INFORMATION REFER TO PARTS PRICE LIST